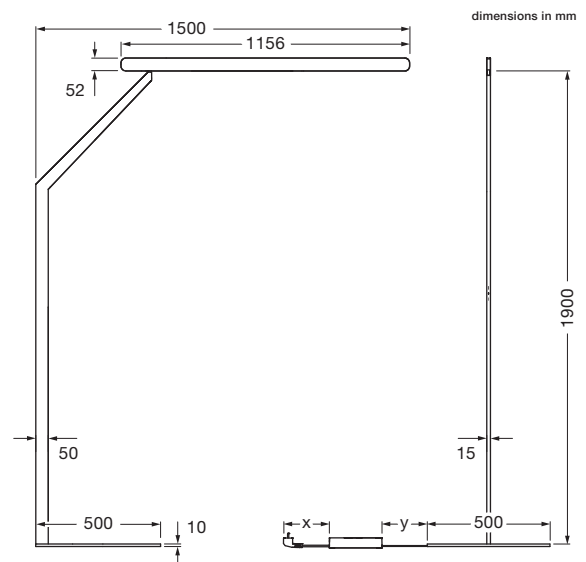


Mito terra 3d datasheet

Linear LED free-standing luminaire with double-sided light emission, height of 190 cm (body) and swivel-mounted head for the flexible alignment at the table. The tilted luminaire unit positions the head over the table or counter / workstation. Symmetrical light pattern for homogeneous lighting – wide, anti-glare light beam directed downwards and upwards. An automatic mode is available for Office applications: Measurement of ambient light by »ambient light control« and automatic control of brightness according to the desired settings. The »presence sensor« of the luminaire allows switching by absence or presence in the room. Connection via plug-in power supply (converter) to 230 V AC / 50 Hz mains voltage, head can be removed for maintenance purposes. Power max. 70 W, control via »touchless control« (gesture control at the head), »body sensor« at the luminaire unit, »ambient light control« (ambient light sensor at the head), »presence sensor« (motion sensor at the head) or with Occhio air. The sensors »touchless control« + »body sensor«, »ambient light control«, »presence sensor« can be deactivated via Occhio air app.



technical data Mito terra 3d

properties	material	head/body aluminium, painted, PVD-coated, optical plastic base powder-coated
	cable length	power supply unit (x): 1 m luminaire (y): 2 m of which 1.5 m are retractable
	weight	21.5 kg
surface	head	bronze, matt gold, rose gold, matt silver, matt white, matt black, phantom
	body/base	matt silver, matt white, matt black
Occhio »color tune« LED	average life time	> 50.000 hrs
	energy efficiency class	A+
	power	70 W (incl. Occhiopower supply unit approx. 76 W) / matt black, matt white, matt gold, matt silver 56 W (incl. Occhiopower supply unit approx. 63 W) / bronze, rose gold, phantom
	color rendering index	high color; CRI Ra 95
	color temperature	2700–4000 K
electricity	recommended use	residential, office
	dimming	via »touchless control«, »via body sensor« or with Occhio air
	connection	230 V AC / 50 Hz
	permitted operating conditions	max. 30°C for indoor use only



Mito terra 3d lighting effects

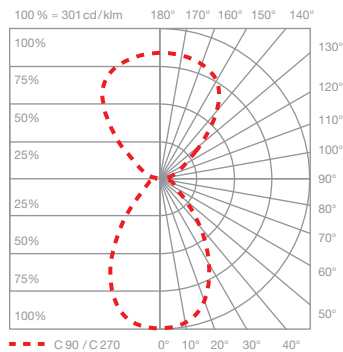
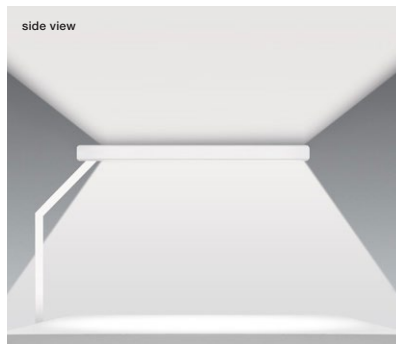
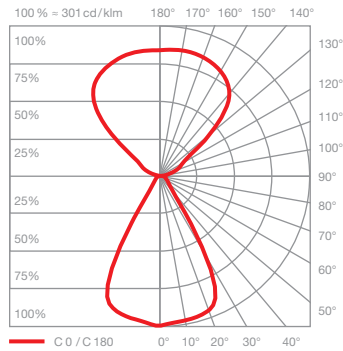
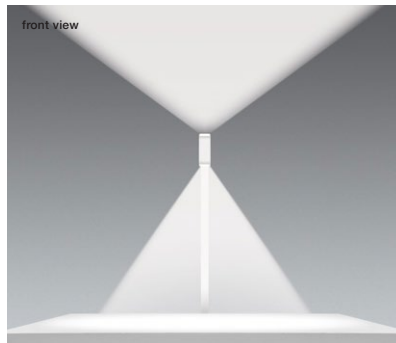


table (wide)

wide light beam (up and down), beam angle approx. 80° (down)

inserts: wide / flood

luminous flux:	high color	70 W*	4600 lm
	high color	56 W**	3600 lm

UGR (4H8H) < 19***

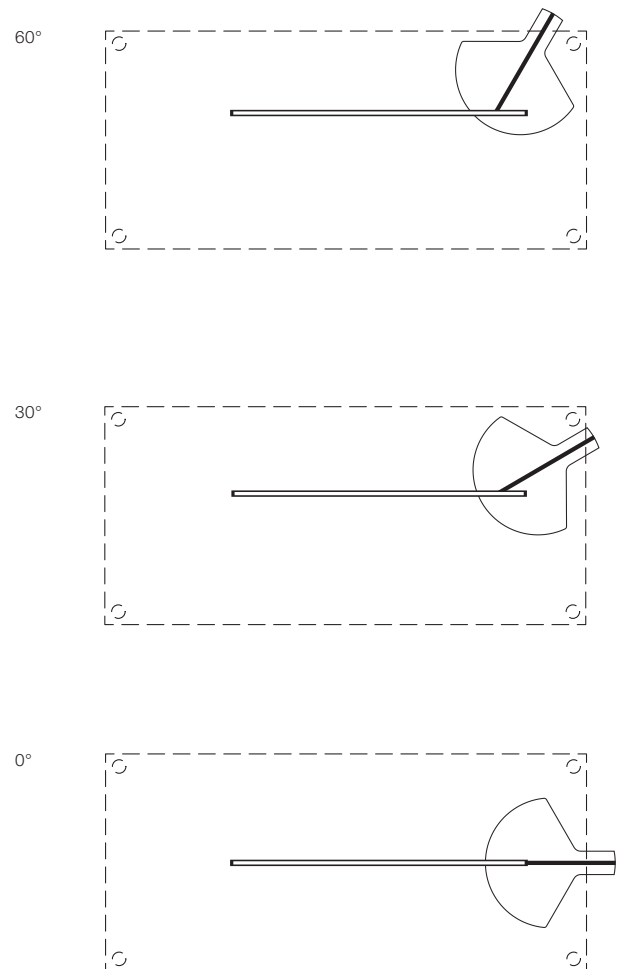
* (matt black, matt white, matt gold, matt silver)

** (bronze, rose gold)

*** For a reliable assessment of glare values in a real application of a luminaire we recommend to carry out an individual calculation which can be prepared by our lighting team (project-support@occhio.de).

Orientation

Mito terra 3d
double sided head swivelable by 60°



control options

Control

Mito set box (standard)



sospeso / volo

soffitto / alto flat

sfera



alto & alto side

sospeso / volo / sfera:

COLOR (Sensor off)
adjustable color temperature (4 steps)
trailing-edge phase cut dimming possible

STEP (sospeso / volo)

adjustable color temperature (4 steps)
adjustable up / downlight ratio (5 steps)
trailing-edge phase cut dimming possible

PRESET (sfera)

color temperature adjustable (4 stages)
light intensity adjustable (5 stages)

SENSOR

»touchless control« (gesture control)
switching, dimming, up / down fading
»color tune« (color temperature continuously adjustable)
no external dimming possible

alto / alto side:

COLOR
adjustable color temperature (4 steps)
trailing-edge phase cut dimming possible

*not with sfera

Mito »air« box (optional)



sospeso / volo / sfera



alto & alto side



terra / terra 3d
terra table top /
soffitto / alto flat



Occhio air (Bluetooth control using Occhio air app) or air controller (optional) control of individual luminaires, groups and scenes

sospeso / volo / sfera:

SENSOR

»air« + »touchless control« (Bluetooth- and gesture control)
control via »touchless control« and Occhio air app or »air« controller

SENSOR OFF

»air«
control via Occhio air App or »air« controller switching, dimming, up / down fading, »color tune« (color temperature continuously adjustable)

terra / terra 3d / terra table top:

»air«, »touchless control« and »body sensor« (Bluetooth- and gesture control)
control via »touchless control«, »body sensor« and Occhio air App or »air« controller

alto / alto slide:

»air« (Bluetooth - control)
control via Occhio air App or »air« controller switching, dimming
»color tune« (color temperature continuously adjustable)

»ambient light control«

adjustment to ambient light

»presence sensor«

presence identification and automatically shutdown by presence sensor

deactivation and adjustable via control and sensor with »air« app

with Mito »air« box no external dimming possible

Mito DALI box (optional)



sospeso / volo /
soffitto alto flat



alto & alto side up



alto & alto side track

control via DALI

sospeso / volo / soffitto / alto flat:

- color tune adjustable
- adjust continuously dimming
- up + downlight separate controllable (two DALI addresses needed)
- no »touchless control«, no fading
- volo 100 (max. 22,5W uplight/ 22,5W downlight)
- volo 140 (max. 30W uplight/max. 30W downlight)

alto / alto side:

- color tune adjustable*
- continuously dimming

* DALI controller DALI Device type 8 (DT8) for controlling of the color tune necessary further signs on www.occhio.de/dali